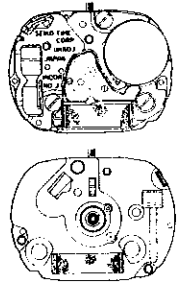
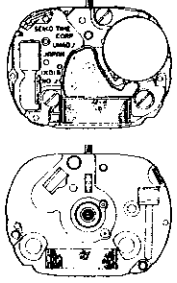


PARTS CATALOGUE / TECHNICAL GUIDE

Cal. 1N00A Cal. 1N01A

[SPECIFICATIONS]

Item		Cal. No.	1N00A	1N01A
Movement			 (x 1.5)	 (x 1.5)
Movement size	Outside diameter	ϕ 14.5mm 10.8mm between 3 o'clock and 9 o'clock sides		
	Casing diameter	ϕ 14.5mm 10.8mm between 3 o'clock and 9 o'clock sides 13.8mm between 6 o'clock and 12 o'clock sides		
	Height	1.9mm (2.0mm including battery portion)	2.2mm (2.3mm including battery portion)	
Time indication		2 hands		3 hands
Driving system		Step motor (Load compensated driving pulse type)		
Additional mechanism		<ul style="list-style-type: none"> • Train wheel setting device • Electronic circuit reset switch 		
Loss/gain		Monthly rate at normal temperature range: less than 20 seconds		
Regulation system		Nil		
Measuring gate by quartz tester		Use 10-second gate.		
Battery		SEIKO SR516SW, Maxell SR516SW, SONY SR516SW, Matsushita SR516SW	SEIKO SR521SW, Maxell SR521SW, SONY SR521SW, EVEREADY 379	
		Battery life is approximately 3 years.	Battery life is approximately 2 years.	
		Voltage: 1.55V	Voltage: 1.55V	
Jewels		0 jewel		

PARTS CATALOGUE

Cal. 1N00A, 1N01A

Remarks:


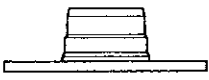
②① ②④ ' Winding stem 351 807

The type of winding stem is determined based on the design of case.
Check the case number and refer to "SEIKO Casing Parts Catalogue" to choose a corresponding winding stem.

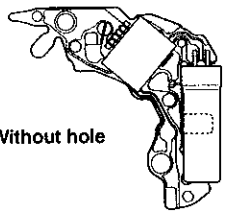
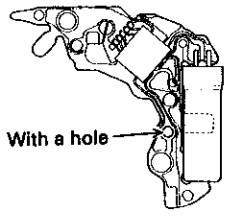
• Difference between Cal. 1N00A and Cal. 1N01A

Cal. 1N00A and Cal. 1N01A differ from each other in the following parts.

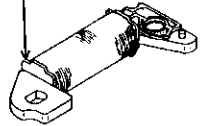
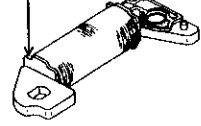
④ ④ ' Hour wheel

Cal. No.	1N00A	1N01A
Part No.	271 813	271 803
		

⑧ ⑧ ' Circuit block

Cal. No.	1N00A	1N01A
Part No.	4000 539	4000 538
	 Without hole	 With a hole

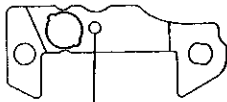
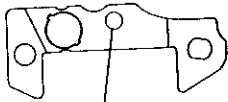
⑮ ⑱ ' Coil block

Cal. No.	1N00A	1N01A
Part No.	4002 536	4002 539
	 White	 Red

PARTS CATALOGUE

Cal. 1N00A, 1N01A

①⑥ ①⑨ ' Rotor stator

Cal. No.	1N00A	1N01A
Part No.	4239 536	4239 539
	 Small hole	 Large hole

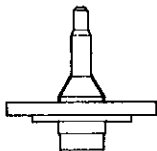
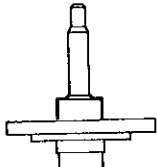
①⑨ ②② ' Setting wheel

Cal. No.	1N00A	1N01A
Part No.	281 807	281 806
Color	Yellow	White

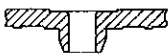
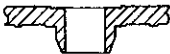
②② ②⑤ ' Clutch wheel

Cal. No.	1N00A	1N01A
Part No.	282 808	282 806
Color	Yellow	White

②① ②③ ' Minute wheel

Cal. No.	1N00A	1N01A
Part No.	261 807	261 806
		

②③ ②⑥ ' Main plate

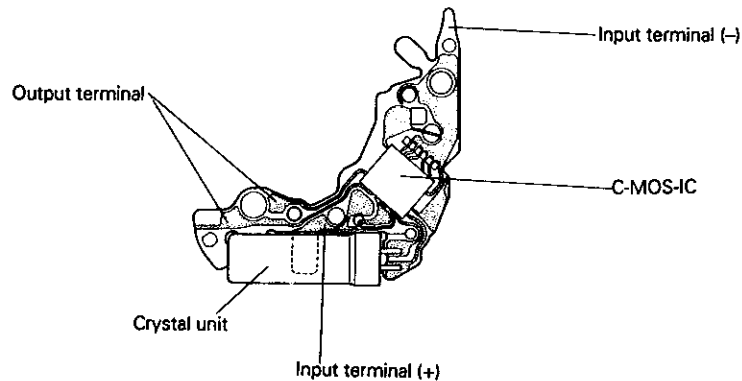
Cal. No.	1N00A	1N01A
Part No.	101 804	101 809
	 Small center hole	 Large center hole

TECHNICAL GUIDE

Cal. 1N00A, 1N01A

- The explanation here is only particular points of Cal. 1N00A and 1N01A.
- For the repairing, checking and measuring procedures, refer to the "TECHNICAL GUIDE, GENERAL INSTRUCTIONS".

I. STRUCTURE OF THE CIRCUIT BLOCK



II. REMARKS ON DISASSEMBLING AND REASSEMBLING

Use the universal movement holder for disassembling and reassembling.

① ①' Hands

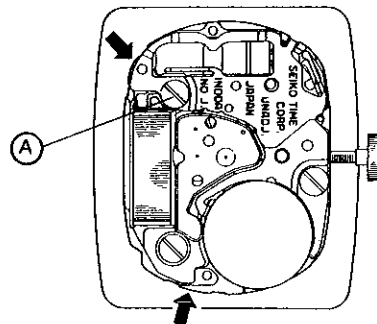
• How to install

Place the movement directly on a flat metal plate or the like and install the hands, escaping the spring portion of the circuit block cover.

② ②' Dial

• How to remove

Insert the tip of a screwdriver into the arrow-marked notch between the main plate and the dial, and remove the dial by prying it up alternately at both its ends.



⑥ ⑥' Circuit block cover screw

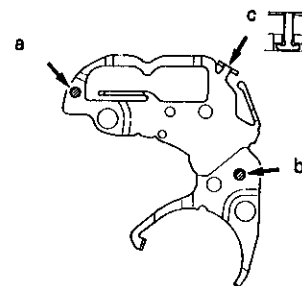
When loosening or tightening the screw (A) on the coil side, be careful not to cut the coil winding wire.

(Use a screwdriver having a tip that matches with the thread of the screw.)

⑦ ⑦' Circuit block cover

• How to install

Set the holes a and b of the circuit block cover securely to the pins of the train wheel bridge, and hook the portion c to the main plate while pressing it. Then, tighten the screws.

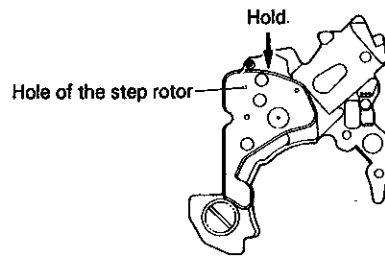


TECHNICAL GUIDE

Cal. 1N00A, 1N01A

⑩ ⑩' Train wheel bridge screw

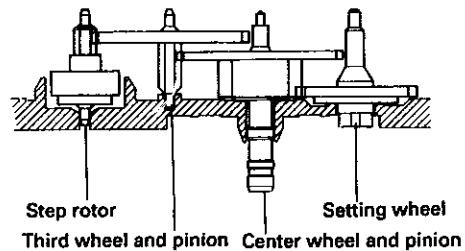
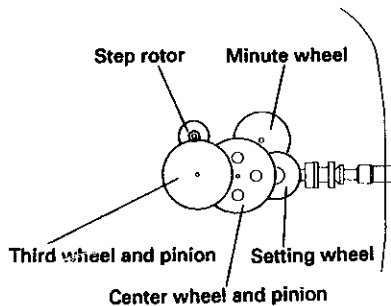
To prevent wheels and pinions from coming off from the train wheel bridge, tighten the screws while holding the portion marked with the arrow in the illustration at right with tweezers or the like.



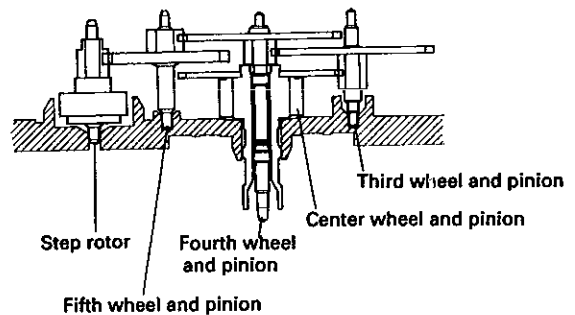
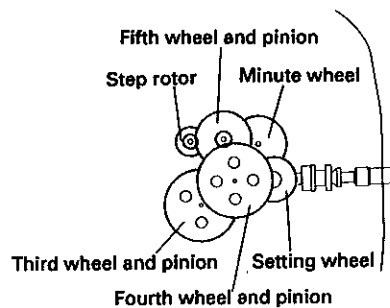
⑪ ⑪' Train wheel bridge

• Setting position

Cal. 1N00A



Cal. 1N01A

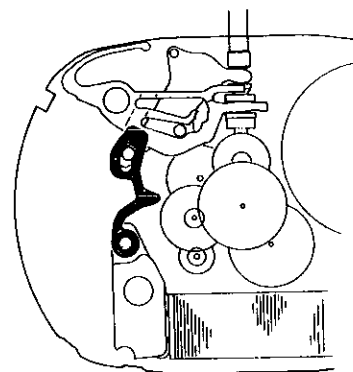


⑫' Train wheel setting lever (Only for Cal. 1N01A)

• Setting position

Set the train wheel setting lever as illustrated at right.

Take care not to deform the lever as it is made of plastics.



⑫ Third wheel and pinion (Only for Cal. 1N00A)

⑬ Step rotor (Only for Cal. 1N00A)

⑮' Fifth wheel and pinion (Only for Cal. 1N01A)

⑳ ㉓' Minute wheel

Since these parts are made of plastics and easily damaged, lightly catch them with tweezers taking care not to touch the pivots and gears.

TECHNICAL GUIDE

Cal. 1N00A, 1N01A

⑰ ⑳ ' Yoke

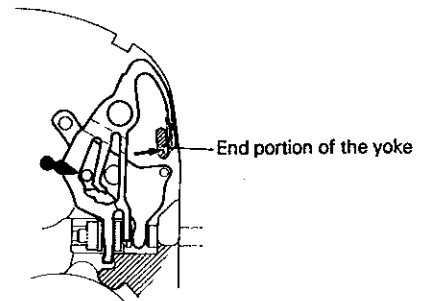
⑱ ㉑ ' Setting lever

• **How to install**

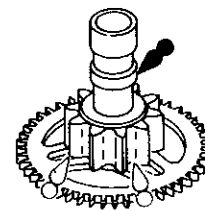
Hook the end portion of the yoke to the main plate while pushing it in the direction of the arrow.

• **Lubricating**

Lubricate as shown in the illustration at right.



⑰ ' Center wheel and pinion (Only for Cal. 1N01A)



○ SEIKO Watch Oil S-6

III. VALUE CHECKING

Cal. No.		1N00A	1N01A
Coil block resistance		1.7K Ω ~ 2.3K Ω	2.7K Ω ~ 3.3K Ω
Current consumption	For the whole of the movement	less than 0.3 μ A	less than 0.9 μ A
	For the circuit block alone	less than 0.25 μ A	less than 0.25 μ A

Remarks:

- When the current consumption exceeds the standard value for the whole of the movement but is less than the standard value for the circuit block alone, overhaul and clean the movement parts and then measure current consumption for the whole of the movement again. The driving pulse generated to compensate a heavy load that may apply on the gear train, etc. is considered to cause excessive current consumption for the whole of the movement.
- Do not check current consumption under an incandescent lamp since strong light may cause the watch to consume excessive current.
Be sure to protect the IC from light with a black cloth, etc. while measuring.