

# Service Bulletin

## Cal. 4F32A/8F32A

### Battery replacement and Calendar data input

- Prepare the new battery before battery replacement.
- Finish battery replacement within 3 minutes. If not, calendar data might be lost.
- While doing battery replacement, avoid touching the battery (-)pole and circuit block cover together, which may cause a short circuit leading to the loss of calendar data.

#### 1. Battery replacement

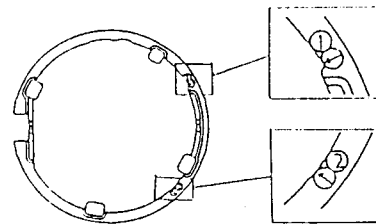
Please take note that Cal. 4F32A and 8F32A have different constructions, and methods of battery replacement also differ.

#### Cal. 4F32A

- Removing the old battery

The order (①、②) and the positions(→) for inserting a tweezers are shown on the case ring. (see picture1)

Please remove the battery from the protrusions in the order shown (picture1)①, ② according to the following process:



Case Ring

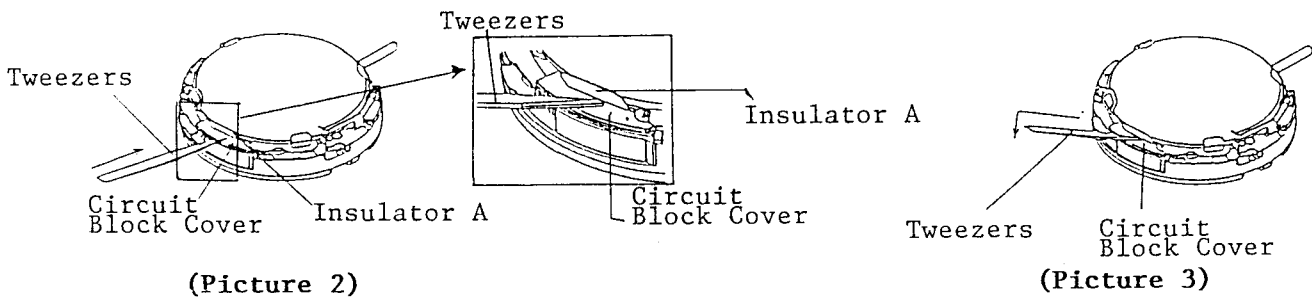
(Picture 1)

1. Put the end of the tweezers between the Insulator A and the circuit block cover. (see picture 2)

\*NOTE: A coil block is placed under the circuit block cover.

Take care not to cut the coil.

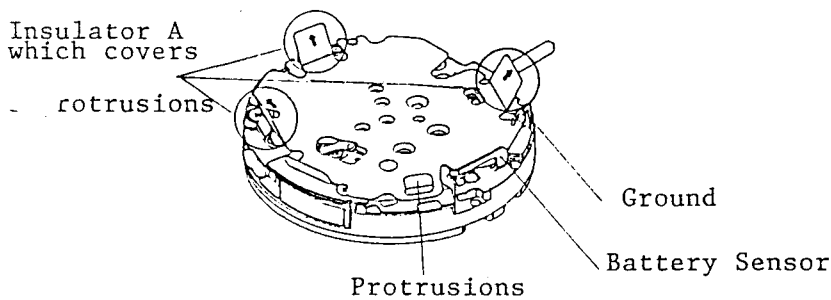
2. Insert the tweezers and lever the battery up. (see picture 3)



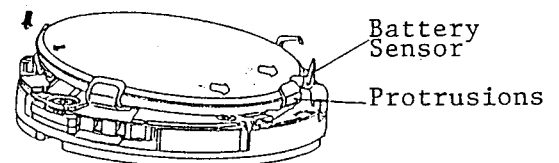
● Putting in the new battery

\*NOTE: While putting in the battery, please take care that the battery (-) pole does not make contact with the 4 protrusions, the ground, and the battery sensor on the circuit block cover.

1. Please flatten out the Insulator A especially the 3 portions for covering the inner sides of the protrusions of the circuit block cover. (see picture 4.)
2. Insert the battery in the direction (⇨) of the battery sensor part. Make sure that the insulator A properly covers the 3 protrusions. Then push down the battery in the direction (⇨).



(Picture 4)

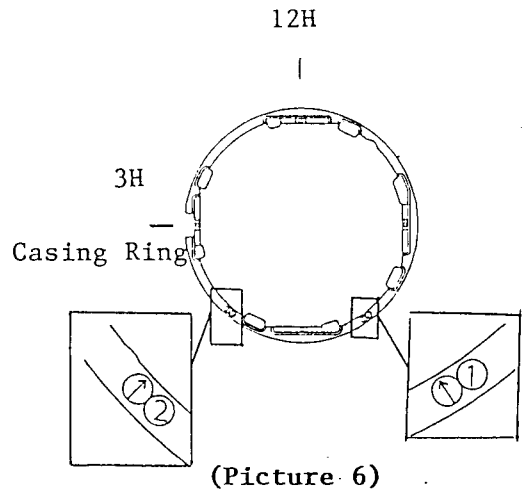


(Picture 5)

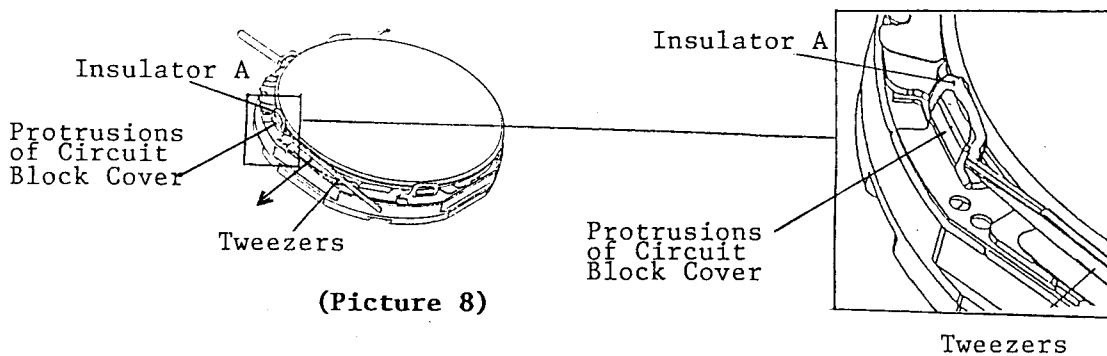
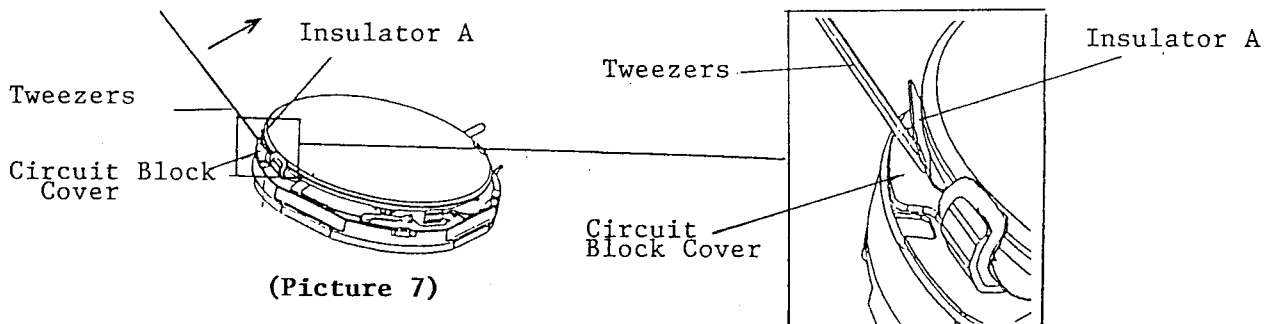
Cal. 8F32A

● Removing the old battery

The order (①、②) and the positions (→) for inserting a tweezers are shown on the case ring. (see picture 6). Please remove the battery from the protrusions in order of (picture.6) ①、② according to below process.



1. Insert the end of a tweezers between the Insulator A and the circuit block cover and push the other end up (do not lever up) in the direction of the arrow. (see picture 7), move it in the direction (→) and undo the protrusions.
2. Put the end of a tweezers between the Insulator A and the circuit block cover, move it in the direction (→) and remove the battery.

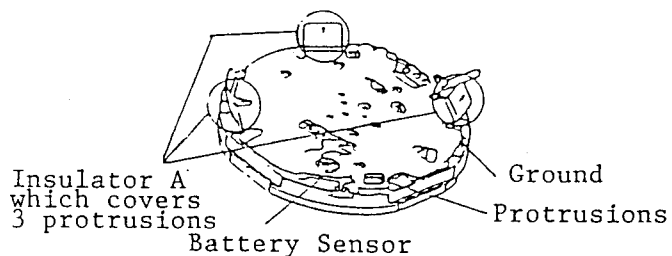


● Putting in the new battery

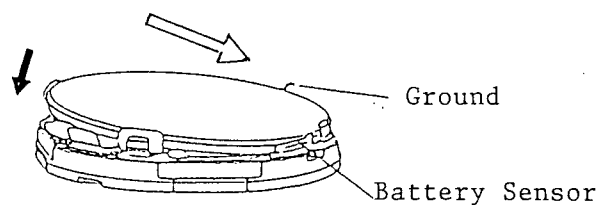
\*NOTE: While putting in the battery, please take care that the battery (-) pole does not make contact with the 4 protrusions, the ground, and the battery sensor on the circuit block cover.

1. Please flatten out the Insulator A especially the 3 portions for covering the inner sides of the protrusions of the circuit block cover. (see picture 9)

2. Insert the battery in the direction (⇐⇒) of the battery sensor.  
Make sure that the insulator A properly covers the 3 protrusions.  
Then push down the battery in the direction (→).



(Picture 9)



(Picture 10)

## 2. After the battery replacement

- (1) After the replacement, please connect the AC terminal of the circuit block and the battery (+) pole by using a conductive tweezers more than 3 seconds.
- (2) Pull out the crown to the second click and then push it in all the way.

### ● When the calendar data is lost...

Date calendar does not move and second hand moves five seconds at a time.



Calendar data needs to be input. Please see CALENDAR DATA INPUT Below.

### ● When the calendar data remains...

Date calendar returns to the current date and starts moving normally (once/second).



Battery replacement is finished. Please adjust the time.

### 3. Calendar data input

#### ●Data input process

{Basic operation in data input.}

Before the input of the data, use conductive tweezers to short circuit the battery (+) pole and each terminal ( $\Phi$ , Y, M, D) on the circuit block. This action gets the watch ready for data writing. Next, by connecting the terminal and the battery (+) pole together, adjust the date calendar. One contact of the terminal and battery (+) pole advances the date calendar one day forward. (It can not be fast-forwarded.)

[  $\Phi$  ] Calendar standard position adjustment

Date calendar {1}



[ Y ] Year adjustment

Date calendar {this year}



[ M ] Month adjustment

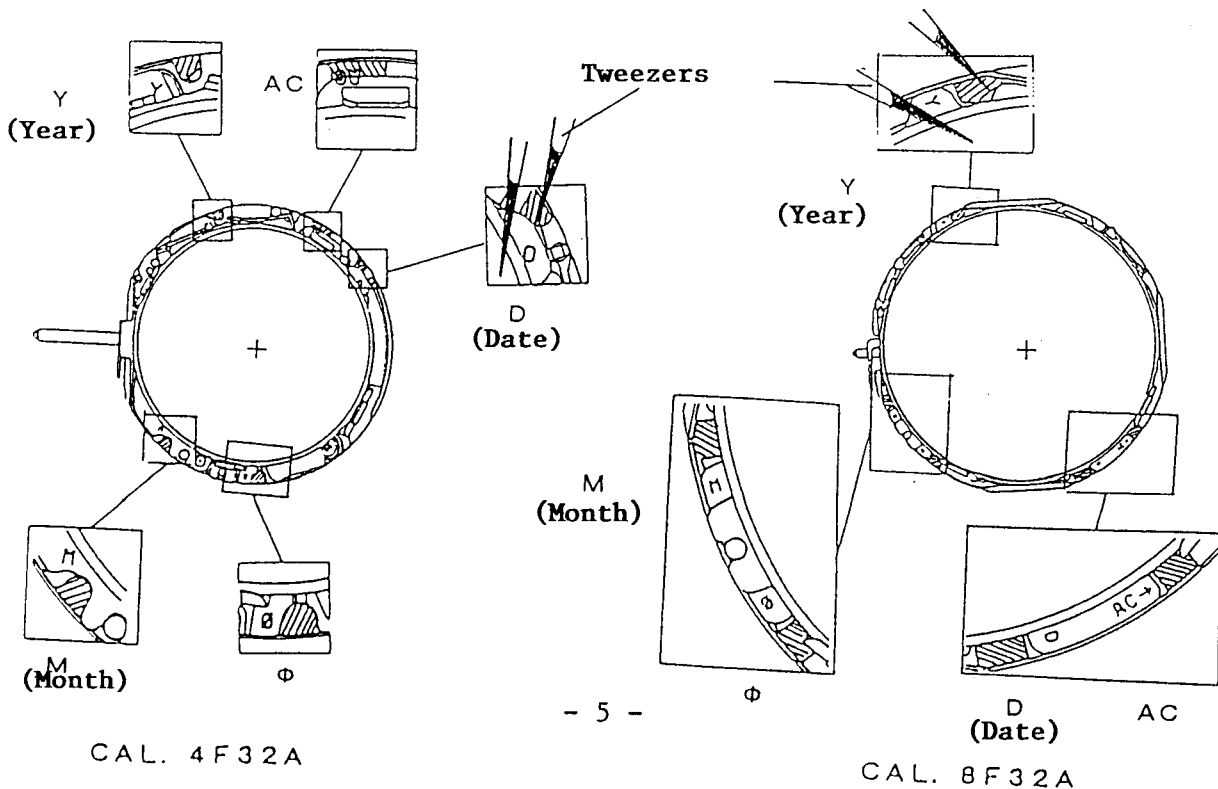
Date calendar {this month}



[ D ] Date adjustment

Date calendar [today]

<The position of each terminal on the circuit block>



(1) Pull out the crown to the second click.

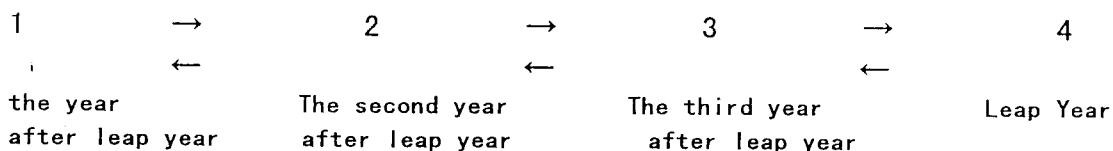
(2) Adjust the calendar to the set-up position **【Φ】**

Connect the Φ terminal and battery (+)pole by a conductive tweezers to put the watch in set up position. Then connect the terminalΦ to the battery(+)pole several times using tweezers until the date calendar shows {1}.

(3) Adjust the year. **【Y】**

Connect the Y terminal to the battery (+)pole by using conductive tweezers, which means the watch is put in year adjustment position. Date calendar shows {1}. Then connect the Y terminal to the battery (+)pole using conductive tweezers and adjust the date calendar to the current year as seen below. (When the date calendar returns back from 4 to 1, it rotates in reverse.)

Date calendar displays:



The year after leap year	The second year after leap year	The third year After leap year	Leap year
1997	1998	1999	2000
2001	2002	2003	2004
2005	2006	2007	2008
2009	2010	2011	2012
.	.	.	.
.	.	.	.
2085	2086	2087	2088
2089	2090	2091	2092
2093	2094	2095	2096
2097	2098	2099	- - - - -

(4)Adjust the month. **【M】**

Connect the M terminal to the battery(+)pole by using conductive tweezers and put the watch in month adjustment status. The date calendar automatically shows {1}. Then connect the M terminal to the battery(+)pole using tweezers and adjust the date calendar to the

current month as seen below. (When the date calendar returns back from 12 to 1, it rotates in reverse.)

Date Calendar Displays:

1 → 2 → 3 → 4 → 5 → 6 ← 7 → 8 → 9 → 10 → 11 → 12  
← ← ← ← ← ← ← ← ← ← ←

(5) Adjust the date. 【D】

Connect the D terminal to the battery(+) pole by using conductive tweezers and put the watch in date adjustment position. The date calendar automatically shows {1}. Then connect D terminal to the battery using tweezers and adjust the date calendar to the current date. (The date calendar rotates forward.)

(6) Confirm the date calendar [1]

Connect one time the Φ terminal to the battery(+) pole by using tweezers and confirm the date calendar shows {1}.

If the date calendar does not show {1}, please return to (2) and try again.

(7) Push the crown in all the way and confirm the calendar (the years from the last leap year, month, and date.)

Please refer to {HOW TO CHECK THE CALENDAR } of the instruction booklet.

- If you find that the time setting is correct and the second hand moves normally (once/second)

↓

The battery replacement is finished. please go to time adjustment.

- If you find that the time setting is wrong even though the second hand moves normally (once/second)

↓

Please return to (1) and try again.

- If the second hand moves five seconds at a time

↓

please return to (1) and try again.